

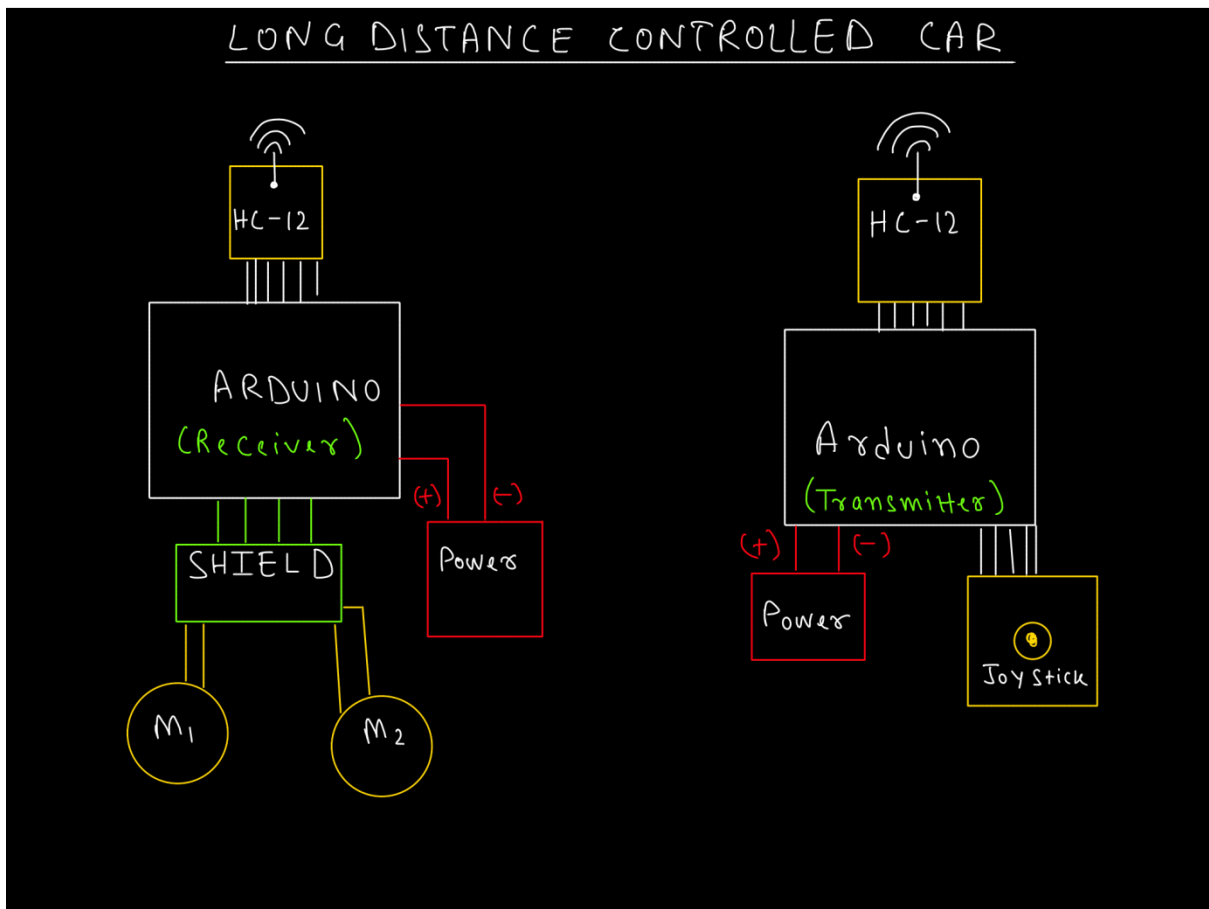
LONG DISTANCE CONTROLLED CAR

Description: The Integrated Project Bluetooth Controlled Car has been ideated to develop and powerful Autonomous car which can be controlled from far away distances and can help in conditions where humans can't reach. The car has been equipped with FPV Camera HC-12 transmitter and Receiver which has a range of 1.8km. The transmitter is also equipped with HC-12 Transceiver Module, Joystick and a mobile phone where the user can see the live footage from the car.

Materials Required:

1. Arduino Uno
2. Adafruit Motor Shield
3. 5v Dc motor
4. Power Supply
5. 2 x HC-12 Transceiver Module
6. Jumper Wires
7. FPV Camera
8. Mobile Phone / Tablet

Images of the Model:



Achievement:

Team: